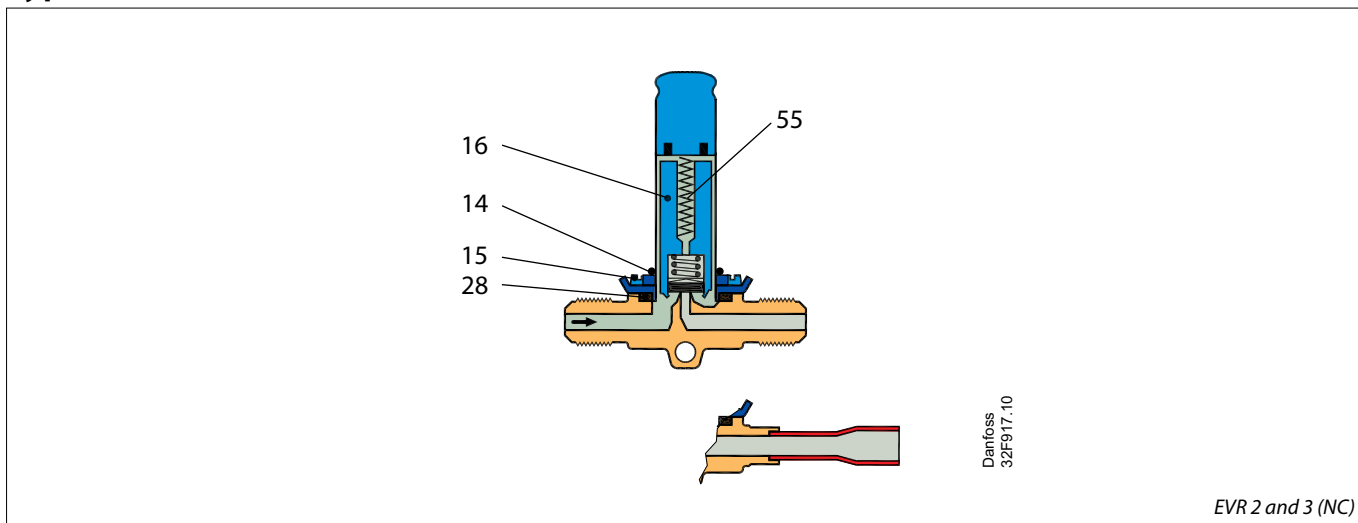


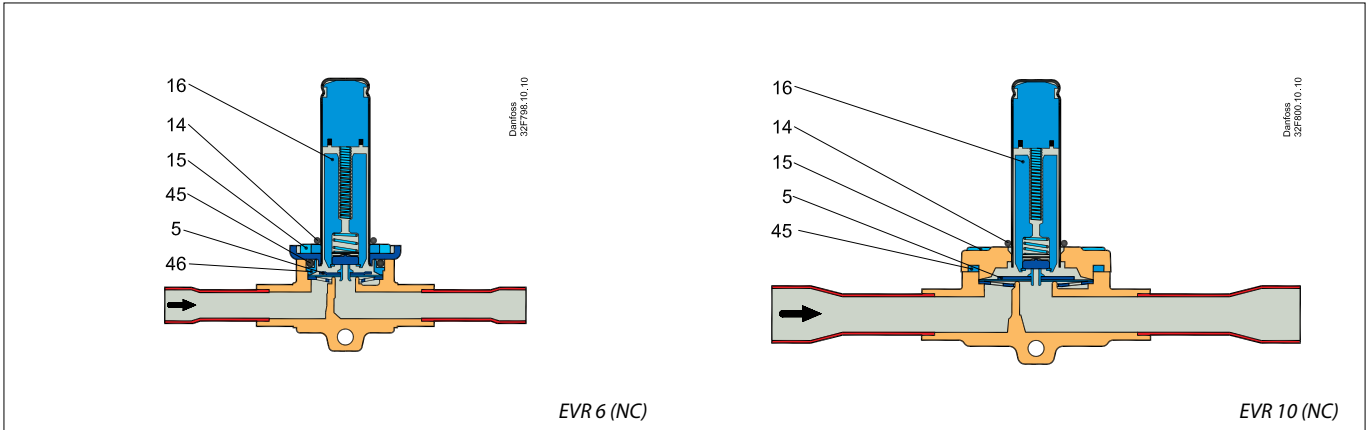
Data sheet – Spare parts and accessories

Solenoid valve
Types EVR



Type	Description	Pos. #	Qty.	Code no.
Service kit (AC)				
EVR 2 and 3 (NC)	O-ring	14	1	032F0181
	Screw	15	4	
	Armature assembly	16	1	
	Rubber gasket	28	1	
	Compress spring	55	1	

EVR Solenoid valves



Type	Description	Pos. #	Qty.	Code no.
------	-------------	--------	------	----------

Service kit (AC)

EVR 4, 6, and 8 (NC)	Diaphragm assembly	5	1	032F8166
	O-ring for armature tube	14	1	
	Screw T20	15	4	
	Screw T15	15	4	
	Armature assembly	16	1	
	Rubber gasket	45	1	
	O-ring for steel cover	45	1	
	Support ring	46	1	
Compress spring	55	1		

Seal kit

EVR 4, 6, and 8 (NC)	O-ring for armature tube	14	1	032F8165
	Rubber gasket	45	1	
	O-ring for steel cover	45	1	
	Support ring	46	1	

Type	Description	Pos. #	Qty.	Code no.
------	-------------	--------	------	----------

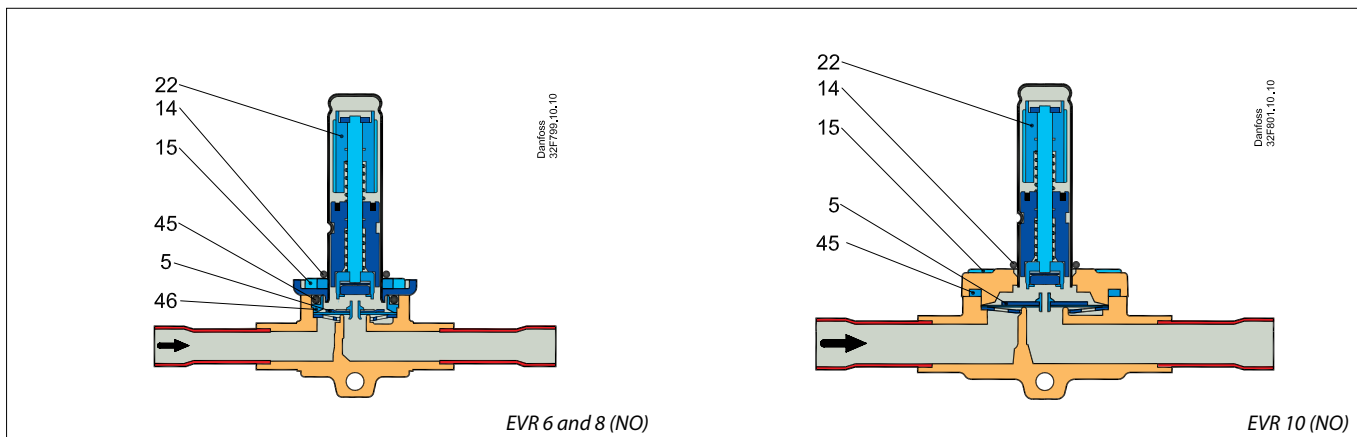
Service kit (AC)

EVR 10 (NC)	Diaphragm assembly	5	1	032F0185
	O-ring	14	1	
	Screw	15	4	
	Armature assembly	16	1	
	Rubber gasket	45	1	
	Compress spring	55	1	

Seal kit

EVR 10 (NC)	O-ring, Armature tube	14	1	032F8196
	Rubber gasket	45	1	

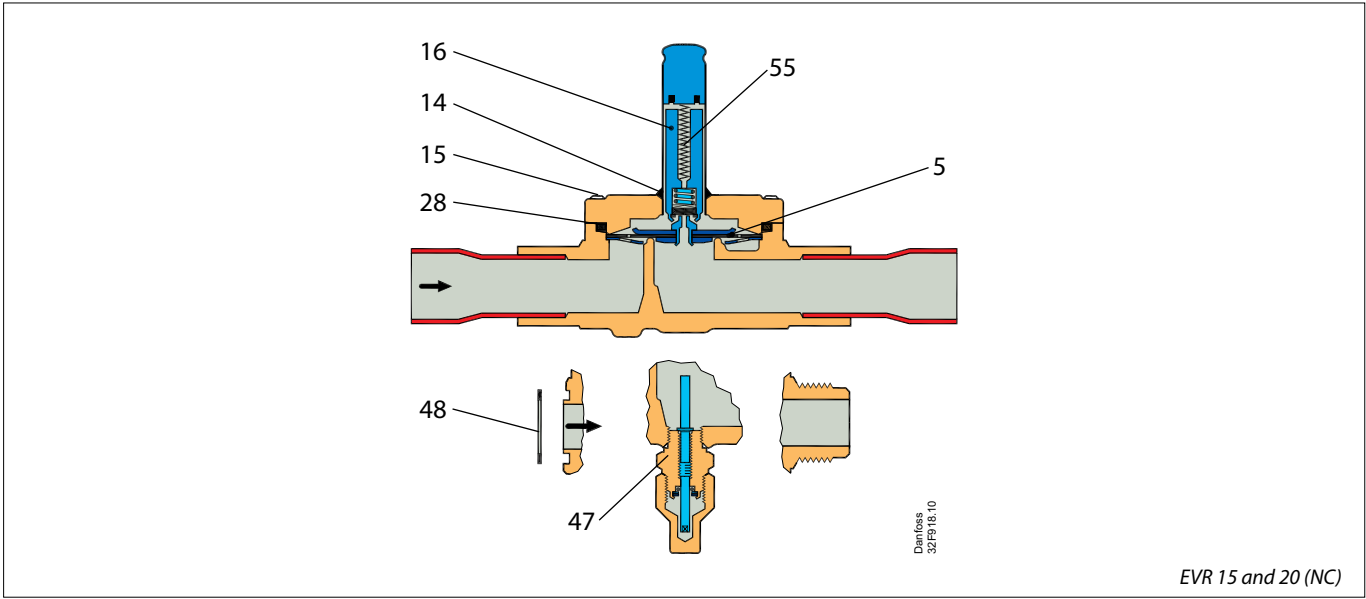
EVR Solenoid valves



Type	Description	Pos. #	Qty.	Code no.
Service kit - Steel cover design				
EVR 6 and 8 (NO)	Diaphragm assembly	5	1	032F8167
	O-ring	14	1	
	Screw	15	4	
	Armature assembly (NO)	22	1	
	O-ring	45	1	
	Support ring	46	1	
Seal kit				
EVR 6 and 8 (NO)	O-ring for armature tube	14	1	032F8165
	Rubber gasket	45	1	
	O-ring for steel cover	45	1	
	Support ring	46	1	

Type	Description	Pos. #	Qty.	Code no.
Service kit (AC)				
EVR 10 (NO)	Diaphragm assembly	5	1	032F0186
	O-ring	14	1	
	Screw	15	4	
	Armature assembly (NO)	22	1	
	Rubber gasket	45	1	
Seal kit				
EVR 10 (NO)	O-ring, Armature tube	14	1	032F8196
	Rubber gasket	45	1	

EVR Solenoid valves



Type	Description	Pos. #	Qty.	Code no.
Service kit				
EVR 15 and 18 (NC)	Diaphragm assembly	5	1	032F0187
	O-ring	14	1	
	Screw	15	4	
	Armature assembly	16	1	
	Rubber gasket	28	1	
	Refrigeration gasket	48	2	
	Compress spring	55	1	

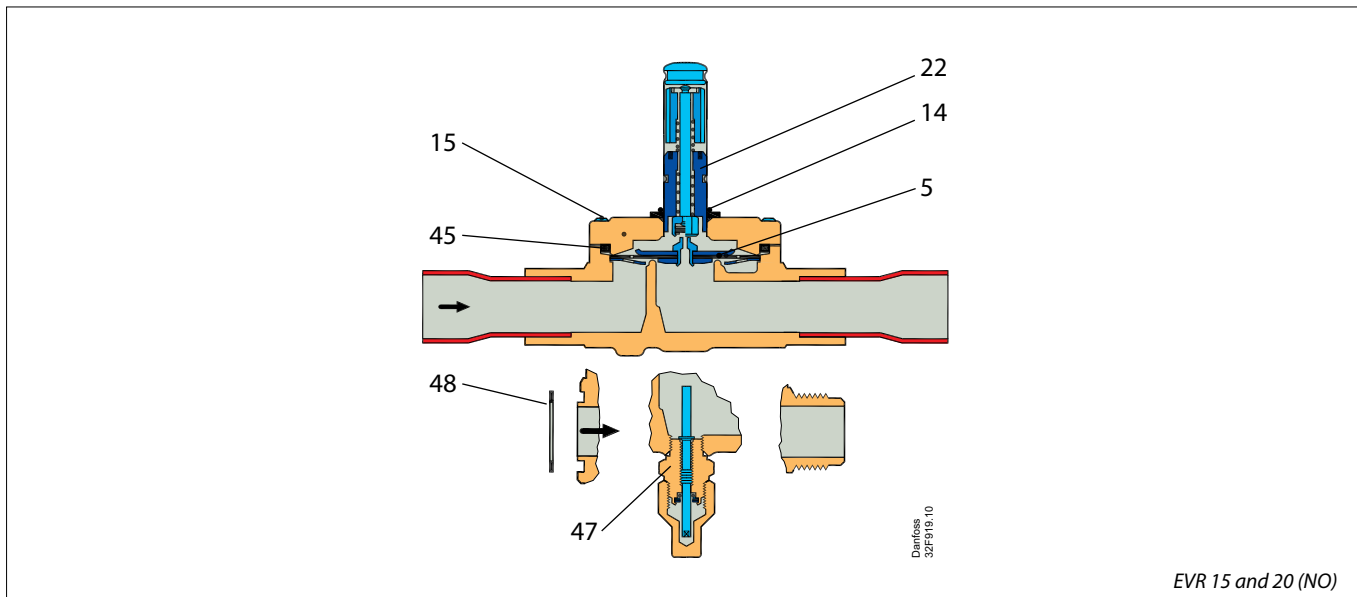
Type	Description	Pos. #	Qty.	Code no.
Seal kit				
EVR 15 and 20 (NC)	O-ring for armature tube	14	1	032F8196
	Rubber gasket (EVR 15)	28	1	
	Rubber gasket (EVR 20)	28	1	
	Packing (refrigeration gasket) (EVR 20)	48	2	
	Refrigeration gasket (EVR 15)	48	2	

Type	Description	Pos. #	Qty.	Code no.
Service kit (AC)				
EVR 20 and 22 (NC)	Diaphragm assembly	5	1	032F0189
	O-ring	14	1	
	Screw	15	4	
	Armature assembly	16	1	
	Rubber gasket	28	1	
	Refrigeration gasket	48	1	
	Compress spring	55	1	

Type	Description	Pos. #	Qty.	Code no.
Service kit (DC)				
EVR 20 and 22 (NC)	Diaphragm assembly	5	1	032F0191
	O-ring	14	1	
	Screw	15	4	
	Armature assembly	16	1	
	Rubber gasket	28	1	
	Refrigeration gasket	48	1	
	Compress spring	55	1	

Type	Description	Pos. #	Qty.	Code no.
Manual spindle				
EVR 20 and 22 (NC)	Spindle assembly	47	1	032F0193

EVR Solenoid valves



EVR 15 and 20 (NO)

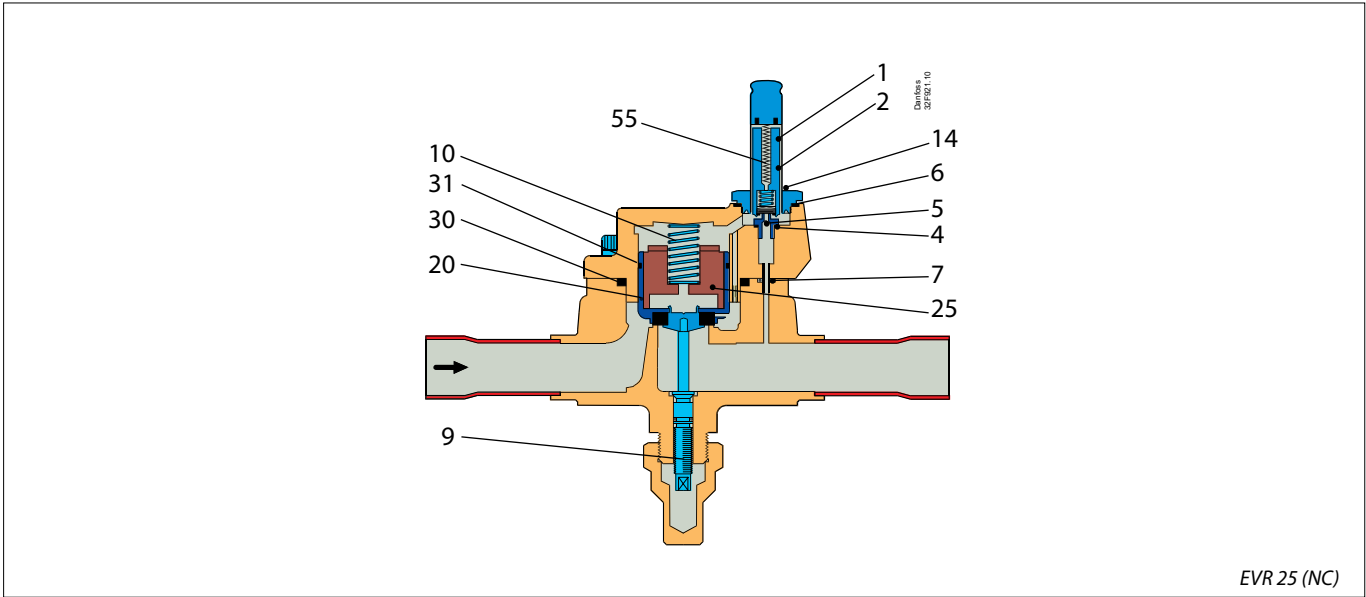
Type	Description	Pos. #	Qty.	Code no.
Service kit				
EVR 15 and 18 (NO)	Diaphragm assembly	5	1	032F0188
	O-ring	14	1	
	Screw	15	4	
	Armature assembly (NO)	22	1	
	Rubber gasket	45	1	
	Refrigeration gasket	48	1	

Type	Description	Pos. #	Qty.	Code no.
Seal kit				
EVR 15 and 20 (NO)	O-ring for armature tube	14	1	032F8196
	Rubber gasket (EVR 15)	45	1	
	Rubber gasket (EVR 20)	45	1	
	Packing (refrigeration gasket) (EVR 20)	48	2	
	Refrigeration gasket (EVR 15)	48	2	

Type	Description	Pos. #	Qty.	Code no.
Service kit				
EVR 20 and 22 (NO)	Diaphragm assembly	5	1	032F0182
	O-ring	14	1	
	Screw	15	4	
	Armature unit assembly (NO)	22	1	
	Rubber gasket	45	1	
	Refrigeration gasket	48	2	

Type	Description	Pos. #	Qty.	Code no.
Manual spindle				
EVR 20 and 22 (NO)	Spindle assembly	47	1	032F0193

EVR Solenoid valves



EVR 25 (NC)

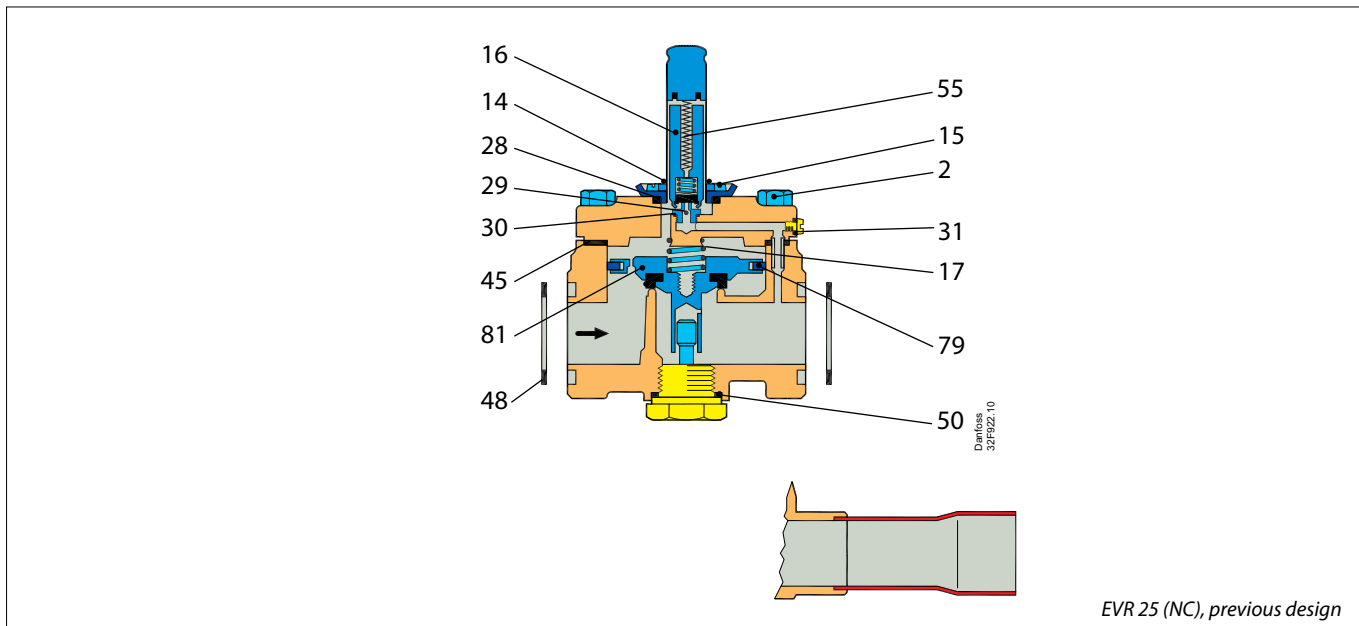
Type	Description	Pos. #	Qty.	Code no.
Piston service kit				
EVR 25 (NC)	O-ring	7	1	032F3236
	Compression spring	10	1	
	O-ring	14	1	
	Piston assembly	20	1	
	Insert block	25	1	
	Rubber gasket	30	1	
	Piston ring	31	1	

Type	Description	Pos. #	Qty.	Code no.
Pilot service kit				
EVR 25 (NC)	Armature assembly	1	1	042H0165
	Armature tube	2	1	
	Al. gasket	4	1	
	Nozzle	5	1	
	Al. gasket	6	1	
	O-ring	14	1	
	Compression spring	55	1	

Type	Description	Pos. #	Qty.	Code no.
Seal kit				
EVR 25 (NC)	Al. gasket	4	1	032F2326
	Al. gasket	6	1	
	O-ring	7	1	
	O-ring	9	1	
	O-ring	14	1	
	Rubber gasket	30	1	

Note!
All code nos. are valid for EVR 25 with stainless steel piston as well as for EVR 25 with cast iron piston.

EVR Solenoid valves

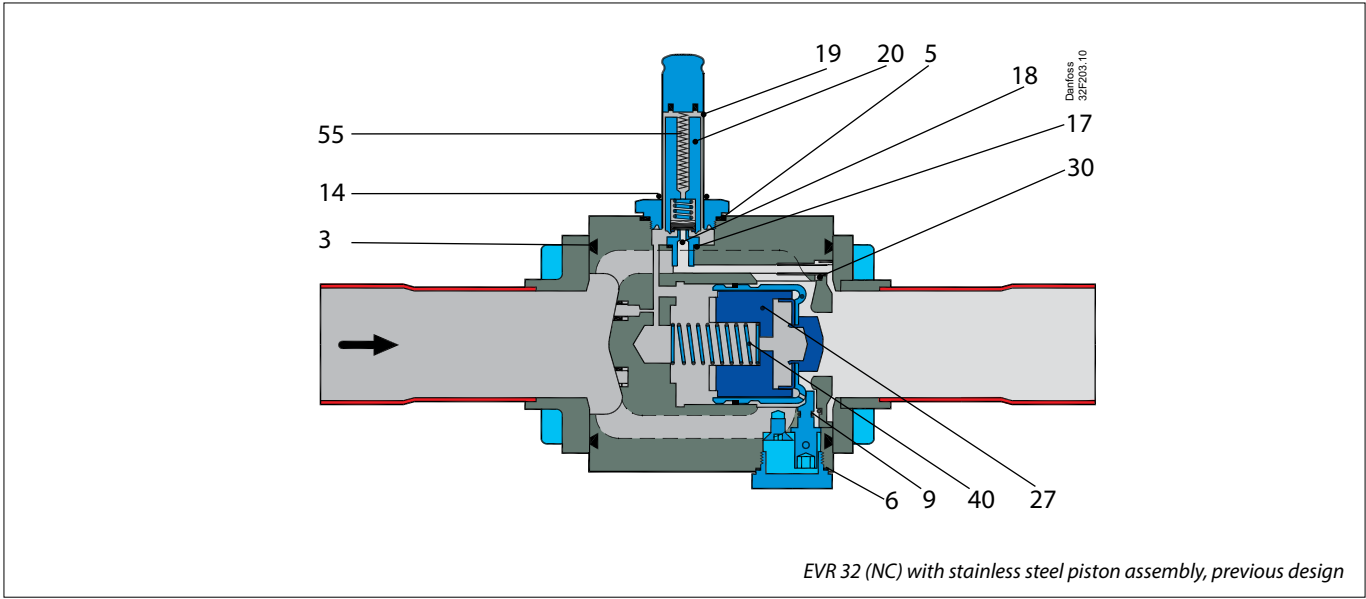


EVR 25 (NC), previous design

Type	Description	Pos. #	Qty.	Code no.
Previous design. Service kit				
EVR 25 (NC)	Screw	2	4	032F0190
	O-ring	14	1	
	Screw	15	4	
	Armature assembly, teflon	16	1	
	Compression spring	17	1	
	Rubber gasket	28	1	
	Orifice	29	1	
	Al. gasket	30	1	
	Gaskets	50	2	
	Compress spring	55	2	
	Piston ring	79	1	
	Piston assembly	81	1	

Type	Description	Pos. #	Qty.	Code no.
Previous design. Seal kit				
EVR 25 (NC)	O-ring	14	1	032F0176
	Rubber gasket	28	1	
	Al. gasket	30	1	
	Refrigeration gasket	31	1	
	Refrigeration gasket	45	1	
	Refrigeration gasket	48	2	
Refrigeration gasket	50	1		

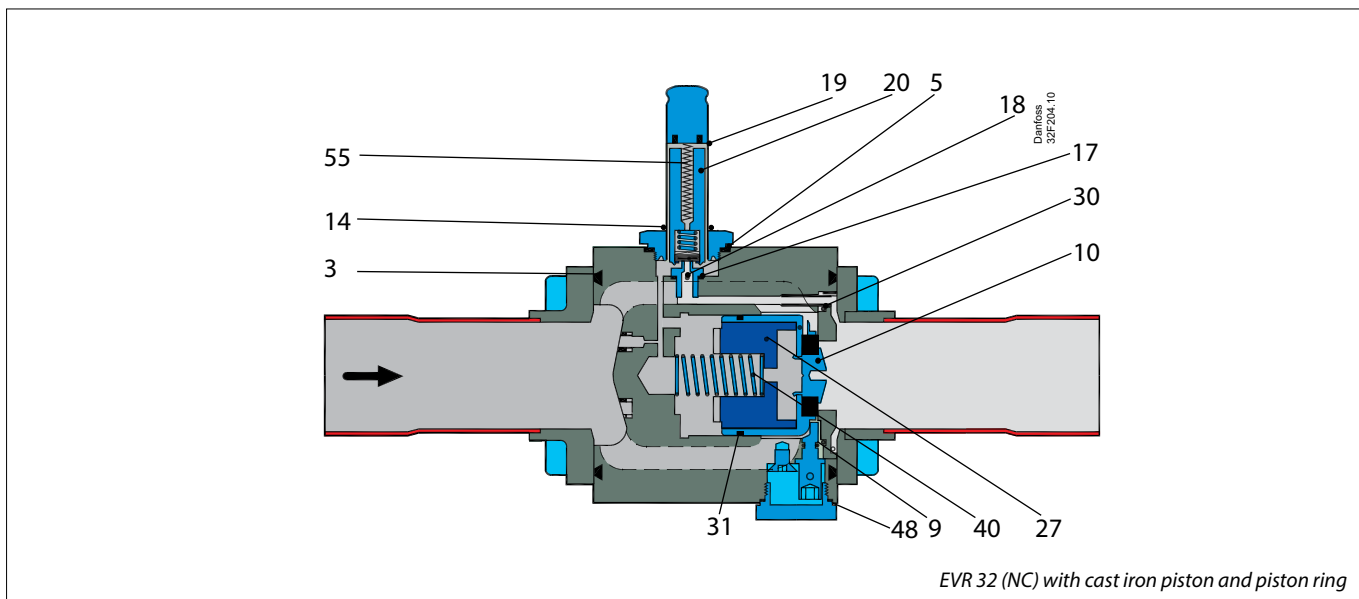
EVR Solenoid valves



Type	Description	Pos. #	Qty.	Code no.
Previous design. Pilot service kit				
EVR 32 (NC)	Al. gasket	5	1	042H0165
	O-ring	14	1	
	Al. gasket	17	1	
	Orifice	18	1	
	Armature assembly	19	1	
	Armature tube	20	1	
	Compression spring	55	1	

Type	Description	Pos. #	Qty.	Code no.
Previous design. Seal kit				
EVR 32 (NC)	O-ring	3	2	032F2327
	Al. gasket	6	1	
	O-ring	9	1	
	O-ring	14	1	
	Al. gasket	17	1	

EVR Solenoid valves

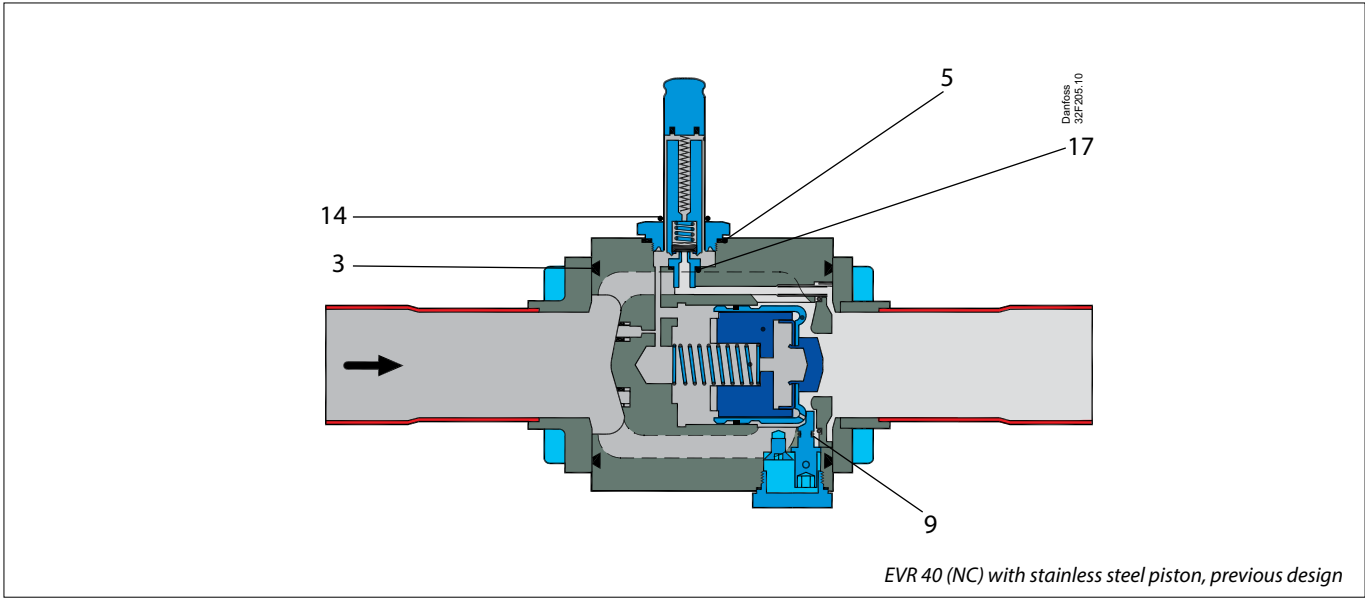


Type	Description	Pos. #	Qty.	Code no.
Piston service kit				
EVR 32 (NC)	O-ring	3	2	042H0172
	Al. gasket	5	1	
	O-ring	9	1	
	Piston assembly	10	1	
	O-ring	14	1	
	Insert block	27	1	
	O-ring	30	1	
	Piston ring	31	1	
	Compression spring	40	1	
Refrigeration gasket	48	1		

Type	Description	Pos. #	Qty.	Code no.
Pilot service kit				
EVR 32 (NC)	Al. gasket	5	1	042H0165
	O-ring	14	1	
	Al. gasket	17	1	
	Orifice	18	1	
	Armature tube	19	1	
	Armature assembly	20	1	
	Compression spring	55	1	

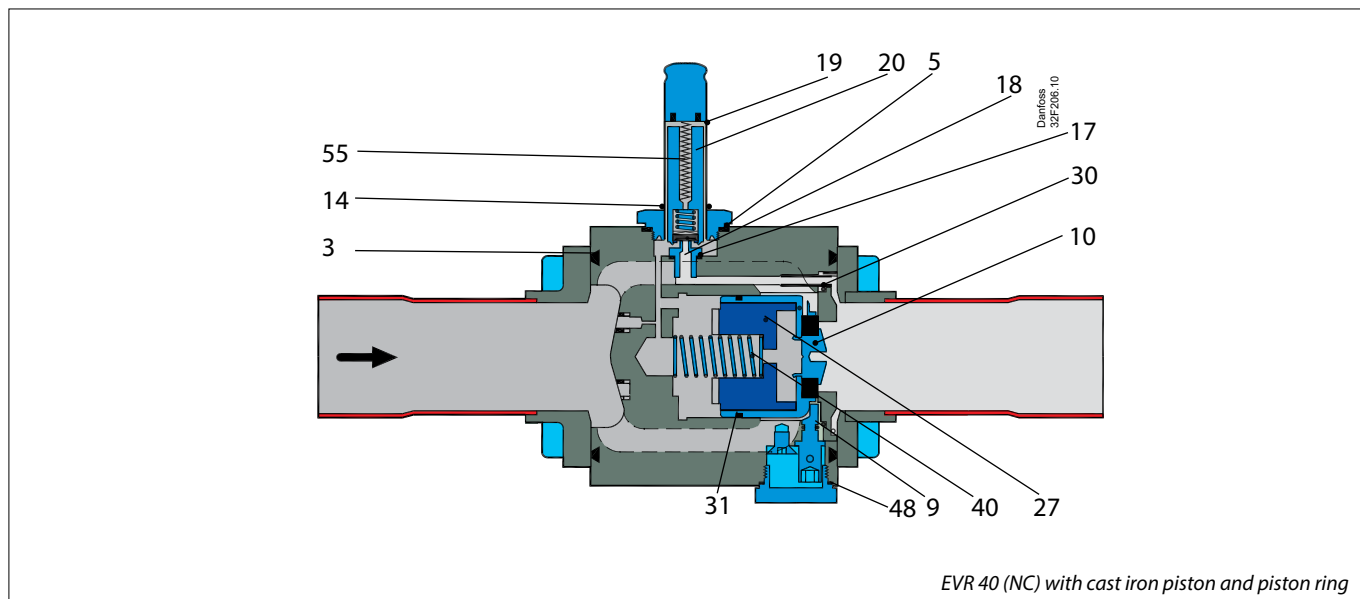
Type	Description	Pos. #	Qty.	Code no.
Seal kit				
EVR 32 (NC)	O-ring	3	2	032F2327
	Al. gasket	5	1	
	O-ring	9	1	
	O-ring	14	1	
	Al. gasket	17	1	

EVR Solenoid valves



Type	Description	Pos. #	Qty.	Code no.
Seal kit				
EVR 40 (NC)	O-ring	3	2	032F2327
	Al. gasket	6	1	
	O-ring	9	1	
	O-ring	14	1	
	Al. gasket	17	1	

EVR Solenoid valves

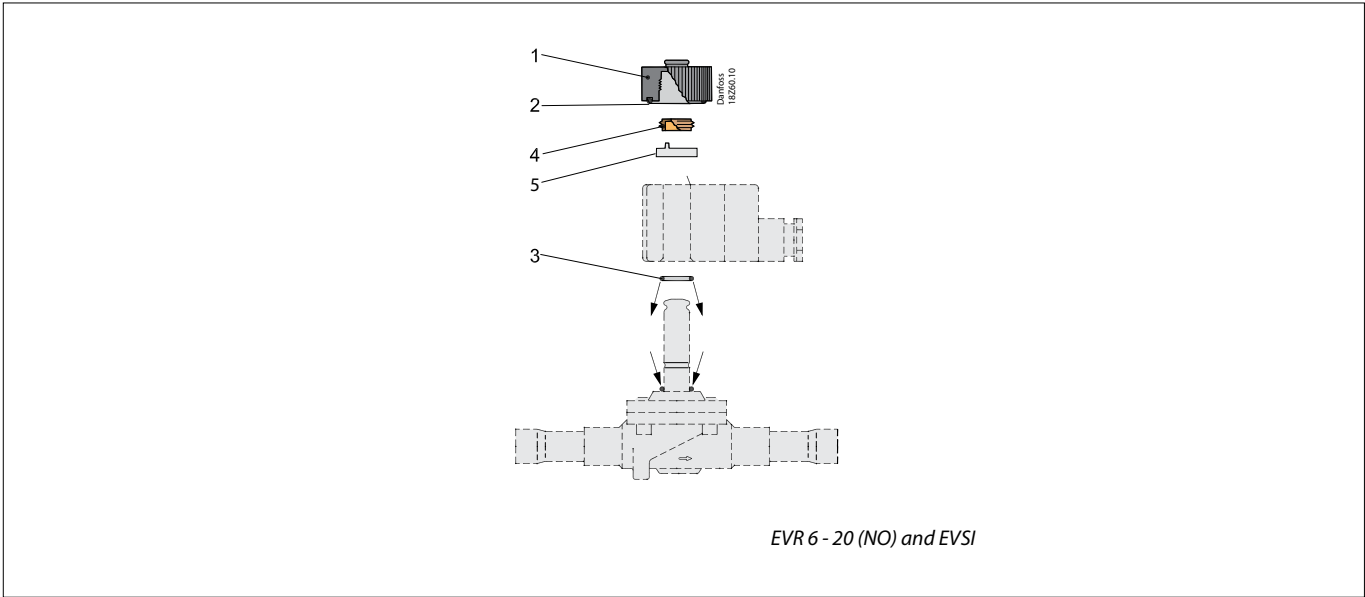


Type	Description	Pos. #	Qty.	Code no.
Piston service kit				
EVR 40 (NC)	O-ring	3	2	042H0173
	Al. gasket	5	1	
	O-ring	9	1	
	Piston assembly	10	1	
	O-ring	14	1	
	Insert block	27	1	
	O-ring	30	1	
	Piston ring	31	1	
Compression spring	40	1		
Refrigeration gasket	48	1		

Type	Description	Pos. #	Qty.	Code no.
Pilot service kit				
EVR 40 (NC)	Al. gasket	5	1	042H0165
	O-ring	14	1	
	Al. gasket	17	1	
	Orifice	18	1	
	Armature tube	19	1	
	Armature assembly	20	1	
	Compression spring	55	1	

Type	Description	Pos. #	Qty.	Code no.
Seal kit				
EVR 40 (NC)	O-ring	3	2	032F2327
	Al. gasket	5	1	
	O-ring	9	1	
	O-ring	14	1	
	Al. gasket	17	1	

EVR Solenoid valves



Type	Description	Pos. #	Qty.	Code no.
Coil seal kit				
EVR 6 - 20 (NC)	Nut	1	1	018Z0090
	O-ring	2	1	
	O-ring	3	1	
	Snap fastener	4	2	
Coil seal kit				
EVR 6 - 20 (NO)	Nut	1	1	018Z0091
	O-ring	2	1	
	O-ring	3	1	
	Snap fastener	4	2	
	Spacer ring	5	1	